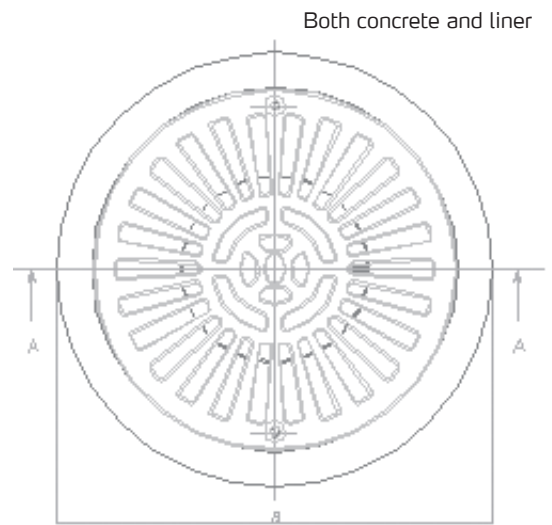


MAIN DRAINS

WELLDANA® MAIN DRAIN - CONCRETE

Material	White ABS
Dimension.	D 210 mm
Connection	2" BSP int
Max flow rate m ³	13

Dimension	In mm
A	157,5
B	210
C	109



WELLDANA® MAIN DRAIN - LINER

Material	White ABS
Dimension.	D 229 mm
Connection	2" BSP int
Max flow rate m ³	13

Dimension	In mm
A	167,5
B	229
C	119

