



**PRODUCT DATA SHEET**



**Models**

This Engineering Data sheet covers the following FlowVis® models:

- **FV-C** (2" / 2.5" pipe)
- **FV-C-15** (1.5" pipe)
- **FV-3** (3" pipe)
- **FV-4** (4" pipe)

**Overview**

FlowVis® is a unique, patented flow meter solution for clean water applications such as swimming pools, spas, water features, and fountains. Models are available for 1.5" through 4" as well as retrofit units for existing specific 3rd party valve bodies. Models for 1.5", 2", and 2.5" pipe include an integrated check valve. Additionally, a non-check valve model is available for applications that employ an SVRS and where check valves are not permitted.

All FlowVis® models offer highly accurate performance and a unique ability to be installed right next to other plumbing fittings such as tees, without the need for long straight pipe runs before and after.

**Specifications**

Accuracy ..... 97.9% Avg. (1.5" - 2.5"); >95% Avg. (3" & 4")  
 Max. Working Pressure ..... 50 psi  
 Head Loss (Model FV-C) ..... 0.77 psi at 20 GPM, 2.37 psi at 112.6 GPM  
 Min / Max Operating Temp..... 32°F (0°C) / 140°F (60°C)  
 NSF 50 Approval..... FV-C, FV-3 and FV-4  
 Warranty ..... 3-years

**Flow Range (GPM U.S.)**

Model	Pipe Size	From	To
FV-C-15	1.5"	10	90
FV-C	2" / 2.5"	10	110
FV-3	3"	90	220
FV-4	4"	160	300

## Materials

FV-C, FV-C-15	
Component	Material
Valve Body	CPVC
Lid	Poly carbonate
Indicator	ABS
Flapper	PPEPS
Flapper Seal	Viton
Spring	Hastelloy c-276
Indicator Pivot Pin	Hastelloy c-276
Lid Screws	304 Stainless Steel
Lid O-Ring	Silicone Rubber Elastomer

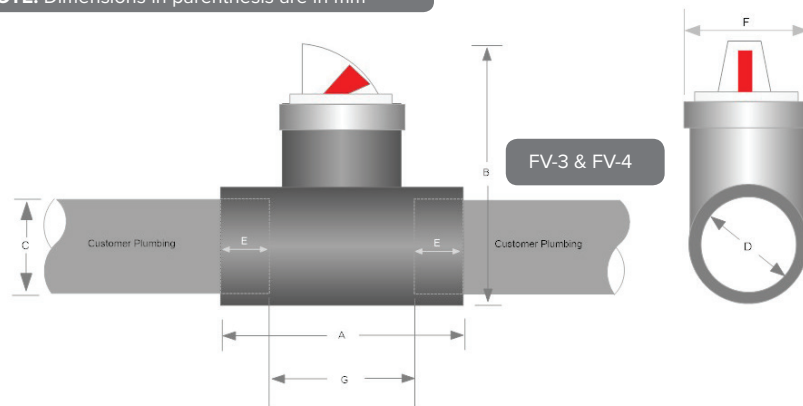
FV-3, FV-4			
Component	Material	Component	Material
Tee	PVC	Link Pin	316 Stainless Steel
Lid	Poly carbonate	Indicator Pivot Pin	Hastelloy c-276
Indicator	ABS	Flapper Pivot Pin	316 Stainless Steel
Flapper	ABS	Stop Pin	316 Stainless Steel
Spring	Hastelloy c-276	Reducer Bushing	PVC
Carriage	Poly carbonate	Lid Screws	304 Stainless Steel
Lid O-Ring	Silicone Rubber Elastomer		

## Dimensions

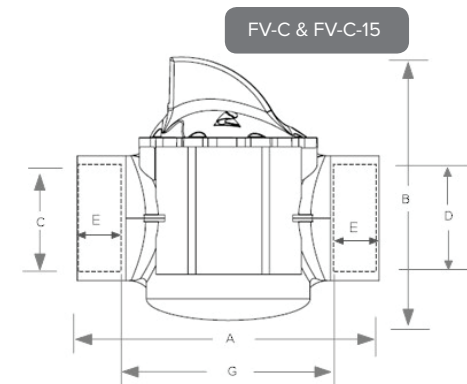
Model	A	B	C	D	E	F	G	Weight (lbs / kg)
FV-C-15	6.5" (165.1)	5.875" (149.23)	Schedule 40 - 1.5"	1.875" (47.63)	1.375" (34.93)	4.63" (117.6)	3.75" (95.25)	1.5 / 0.544
FV-C	6.5" (165.1)	5.875" (149.23)	Schedule 40 - 2" slip and 2.5" with coupling	2.375" (60.33)	1.375" (34.93)	4.63" (117.6)	3.75" (95.25)	1.5 / 0.544
FV-3	8.0" (203.2)	9.5" (241.3)	Schedule 80 - 3"	3.5" (88.9)	1.875" (47.63)	4.5" (114.3)	4.25" (107.96)	3 / 1.36
FV-4	9.5" (241.3)	9.75" (247.65)	Schedule 80 - 4"	4.5" (114.3)	2.25" (57.15)	5.25" (133.26)	5.00" (127)	5 / 2.27

**NOTE:** Dimensions in parenthesis are in mm

**NOTE:** Dimension 'G' = pipe cutaway length



**NOTE:** Unlike other flow meters, all FlowVis models can be installed directly next to other plumbing fittings such as elbows & tees, without the need for 15x straight pipe diameter.



H2flow Controls, Inc., 3545 Silica Road, Unit F, Sylvania, OH 43560 U.S.A.  
Tel: 888-635-0296 • Fax: 419-517-9900 • www.h2flow.net

Release 1.4 1/18